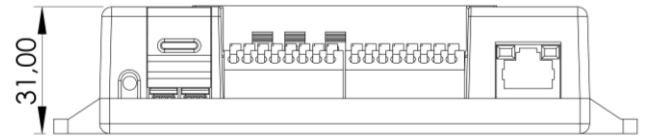
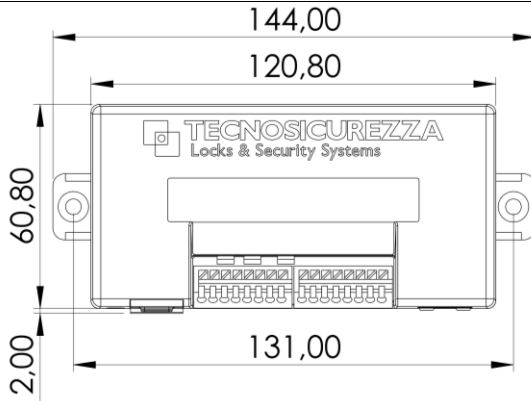


## T9355/IP: Input/output interface with Ethernet port

### T9355/IP includes:

- Plastic box
- Alarm signals terminals
- Ethernet port
- Reset button
- Keypad/lock connectors
- Jumpers NC/NO



For indoor use only.

### RS485 PROTOCOL

1. GND
2. RS485 +
3. RS485 -
4. RS485 BUSY

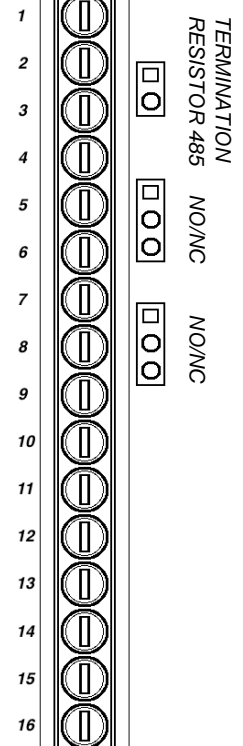
RESET  
BUTTON

KEYPAD  
& LOCK

### OUTPUTS \*

Dry contacts  
Normally open/closed  
Max 30Vdc , 1A  
Max 60Vdc , 300mA  
  
Max 125Vac , 500mA

5. OUTPUT 1 (Silent alarm)
6. OUTPUT 1 (Silent alarm)
7. OUTPUT 2 (Penalty)
8. OUTPUT 2 (Penalty)



### INPUT \*

Not isolated  
Active low  
Short circuit between INPUT and GND to activate the signal.  
(do not power the Input)  
Max 50Vdc , 20mA  
Vil Max= 0,5Vdc Vih Min= 3,0Vdc

9. GND (Remote block)
10. INPUT 1 (Remote block)
11. GND (Remotely managed)
12. INPUT 2 (Rem. managed)

### VDC OUTPUT

9Vdc OUT, max 100mA

13. GND
14. 9V OUT+

### POWER SUPPLY

12Vdc-24Vdc (1A)

15. GND
16. PWR IN +

\* Inputs and outputs can be changed by the TechMaster setup software. The values shown inside the brackets must be considered just as factory values.

ETHERNET



The connection and installation of the interface has to be done by qualified personnel properly trained.

### **RESET PROCEDURE.**

- 1) Connect the reset-box to any of the keypad/lock connector on the interface.
- 2) Push and release the reset button. The LED blinks slowly.
- 3) Wait for 10÷15 seconds. Led turns off.
- 4) Remove the reset-box.
- 5) The interface is now reset and it is ready to be installed on the system.

### **INSTALLATION PROCEDURE.**

Before installing the interface, make sure that no Ethernet hub is present in the system of interest. The use of Ethernet hub indeed, might cause malfunctions of the interface itself. It is instead allowed using Ethernet switches.

- 1) Make sure that the interface is in reset mode.
- 2) Connect the interface to the keypad (do not connect it with Ethernet cable).
- 3) Open the lock 1 and keep the bolt open.
- 4) Select the **Configuration** menu and access it by entering the access code (50-50-50 by default, or refer to the configuration file created with the setup software).
- 5) Select '**Install I/O interface**' submenu.
- 6) Enter Master code to complete the installation procedure.
- 7) The interface is now installed and ready to work. Proceed by connecting the device with the Ethernet cable and configure the network parameters (if not already done through the setup software) using the software **Discovery** or the web page (if previously configured through the setup software).

NOTE: for the installation with a TechMaster T9531/T9533 keypad, once the installation and network parameter configuration are completed, also possible from the keypad, enter the menu **Configuration/I/O Interface/IP address** and ensure that the IP address configured through the Setup software, the web page, or the Discovery software is present.

- 8) When using the interface in 'RS485 mode', make sure the ID is set correctly.

## UNINSTALLATION PROCEDURE

- 1) Disconnect the interface from the Ethernet cable.
- 2) From the keypad, select the menu **Configuration** and access it by entering the access code (50-50-50 by default, or refer to the configuration file created with the setup software).
- 3) Select the submenu **Remove I/O Interface** and press **OK** to access it.
- 4) Confirm the operation by pressing **OK** again.
- 5) It is now possible to disconnect the interface from the keypad and/or the lock.

**Correct disposal of this product:**

**(Waste Electrical & Electronic Equipment)**

Applicable in the European Union and other European countries with separate collection systems.



This marking displayed on the product or its literature indicates that it should not be disposed with other wastes at the end of its working life.

To prevent possible harm to the environment or human health from uncontrolled waste disposal, please separate this from other types of wastes and recycle it responsibly to promote the sustainable reuse of material resources.

## Contacts

### GLOBAL HEADQUARTERS

#### **Tecnosicurezza SpA**

Via Cesare Battisti, 276  
37057 San Giovanni Lupatoto  
Verona  
Tel.+39 045 826 64 70  
Fax. +39 045 826 64 69  
[info@tecnosicurezza.it](mailto:info@tecnosicurezza.it)  
[service@tecnosicurezza.it](mailto:service@tecnosicurezza.it)  
[infotecnosicurezza@pec.it](mailto:infotecnosicurezza@pec.it)

### USA HEADQUARTERS

#### **Tecnosicurezza Inc.**

133, Trade Street- Suite 4  
Lexington, KY 40511  
Tel.+1 859 682 50 25  
[info.usa@tecnosicurezza.it](mailto:info.usa@tecnosicurezza.it)

### SPAIN HEADQUARTERS

#### **Tecnosicurezza Sa**

C/Menor, 4 - Nave 10  
Pol. Ind La Mina  
28770 Colmenar Viejo  
SPAIN  
Tel.+34 91 804 33 91  
Fax.+34 91 804 32 63

[info.es@tecnosicurezza.it](mailto:info.es@tecnosicurezza.it)